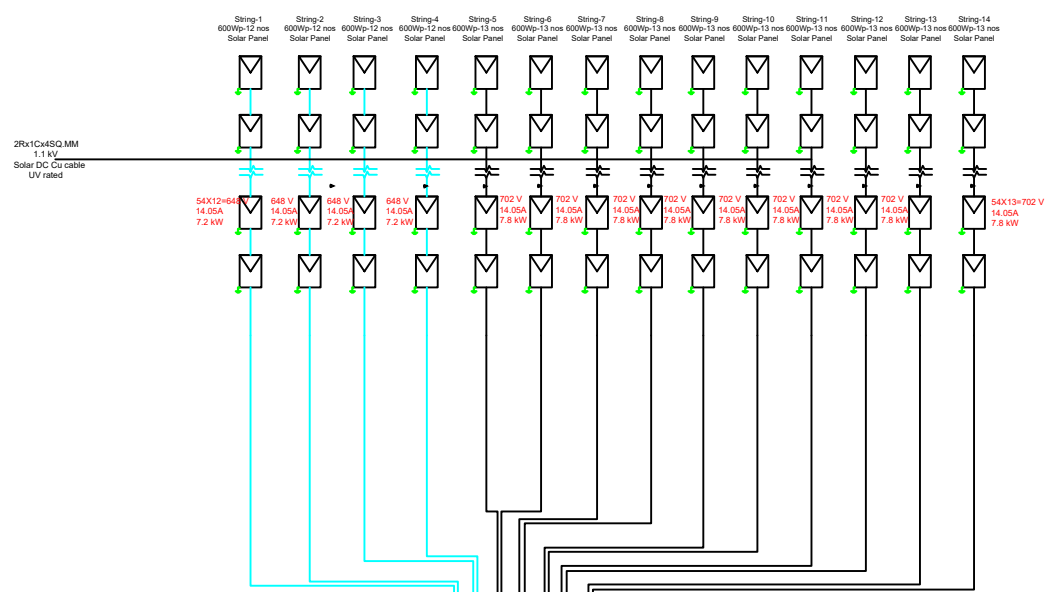
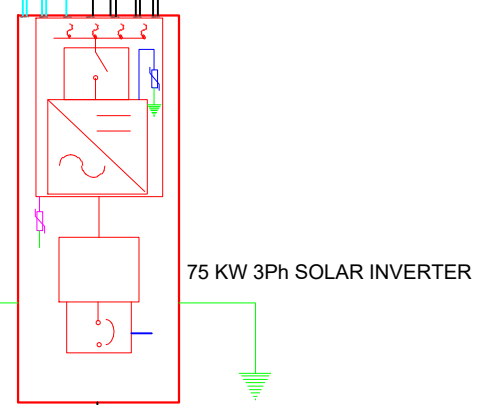
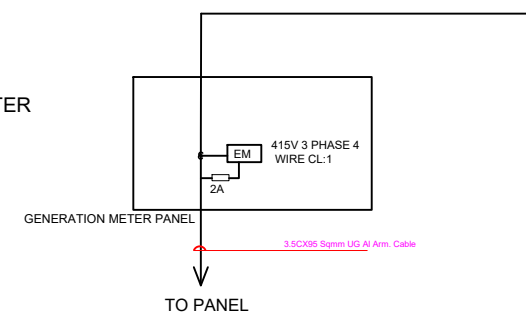
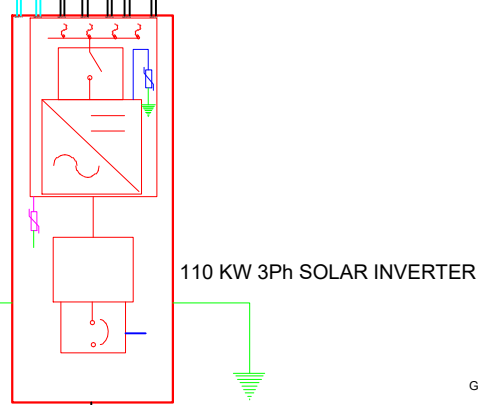
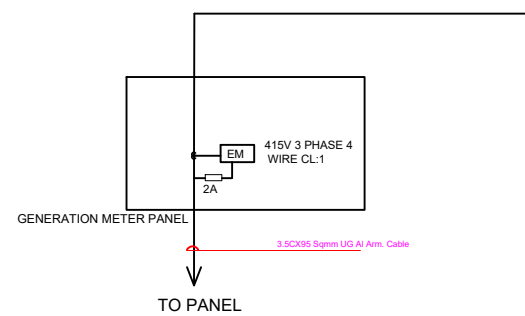
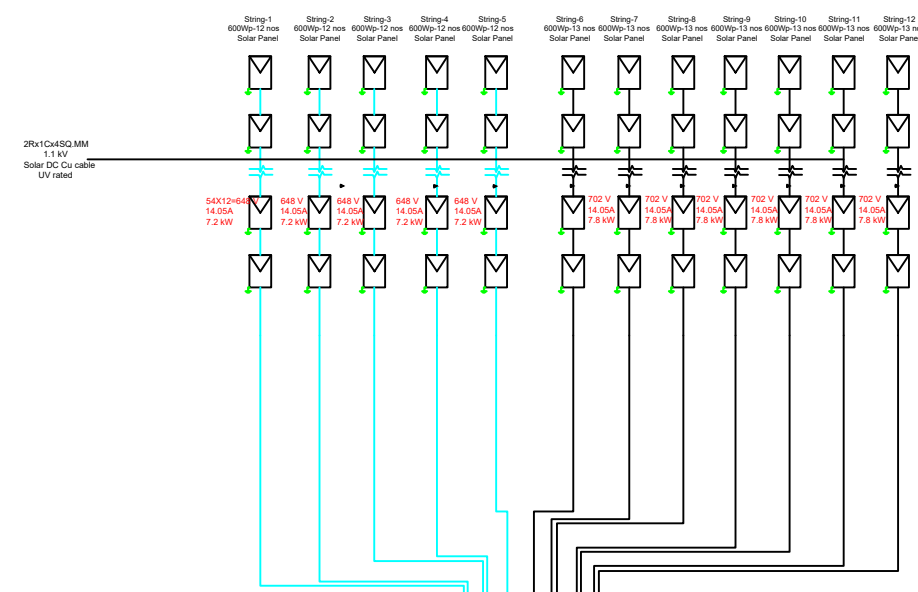


Terrace Floor at D03 (INVT-1)- 178 Panels



Terrace Floor at D03 (INVT-2)- 151 Panels



Title	110 & 75 KWp Solar Power Plant-D03
Project	SITC of 110 & 75 KWp Solar Power Plant and connected electricis at IIT Palakkad.