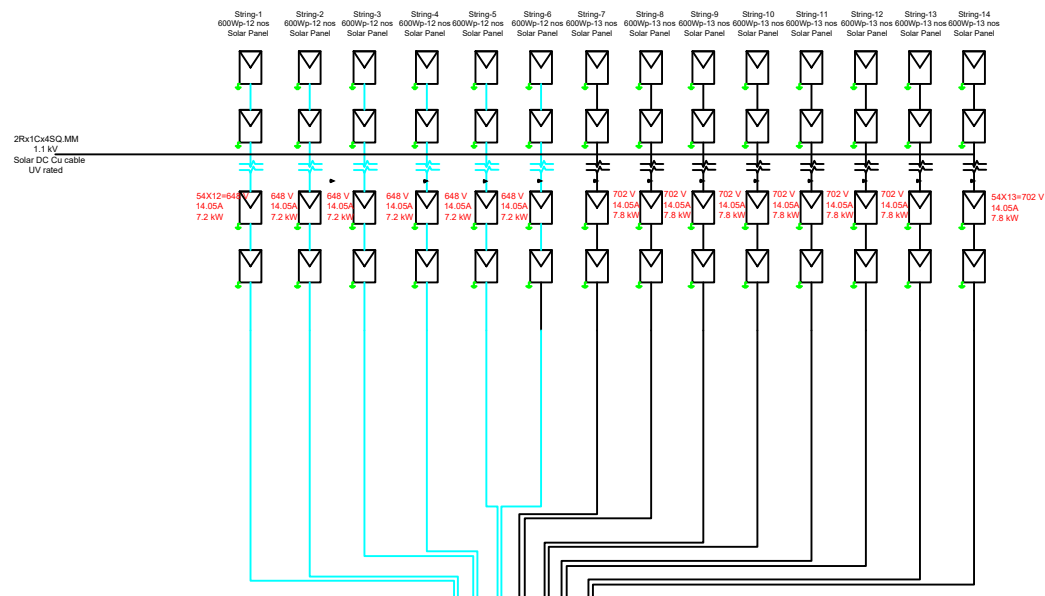
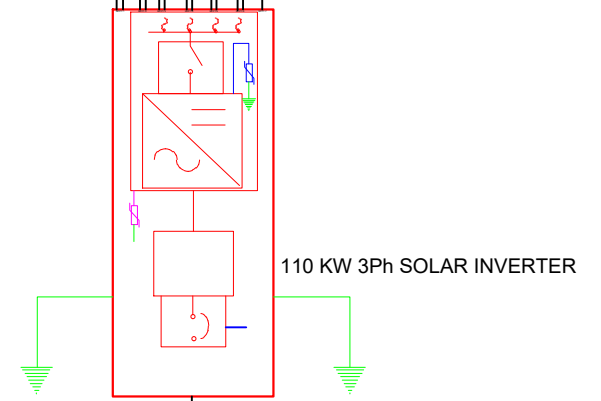
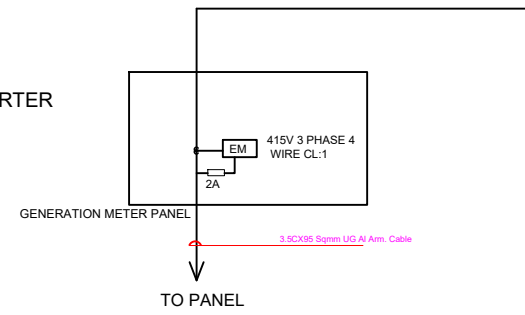
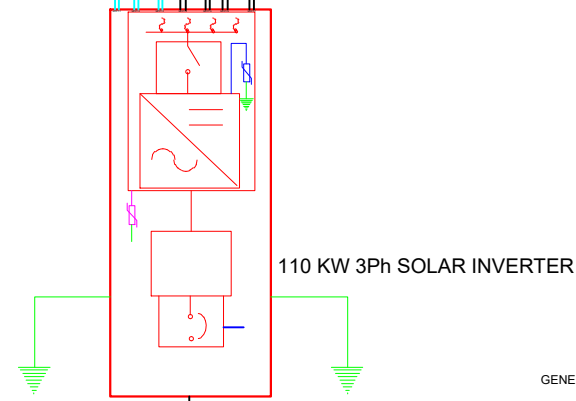
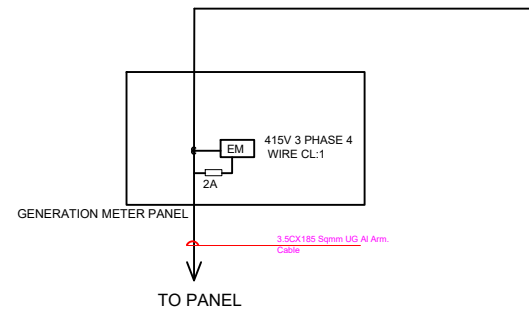
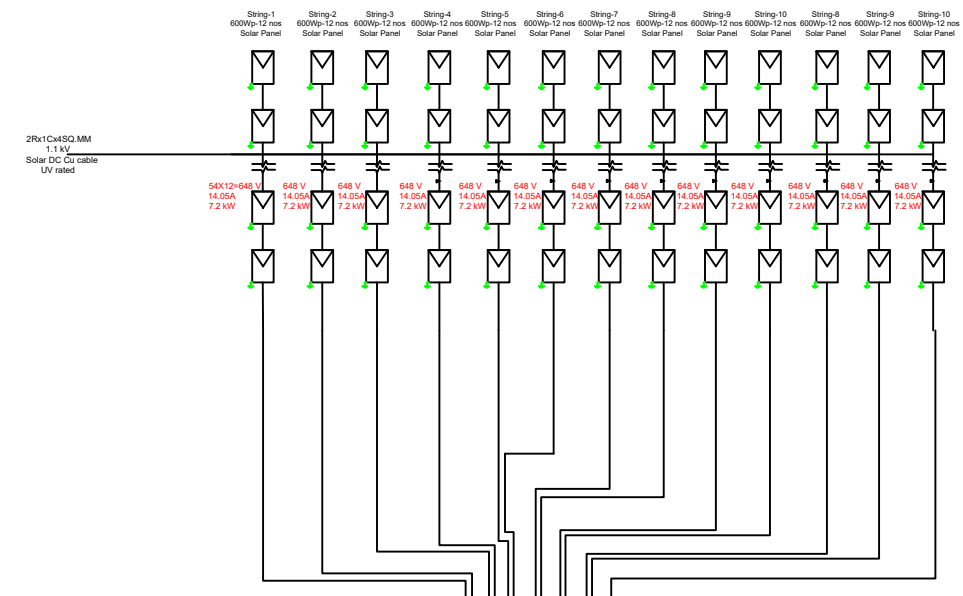


Terrace Floor at B03 (INVT-1)- 176 Panels



Terrace Floor at B03(INVT-2)- 156 Panels



Title	2Nos X110 KWp Solar Power Plant-B03/B04
Project	SITC of 110 KWp Solar Power Plant and connected electricis at IIT Palakkad.