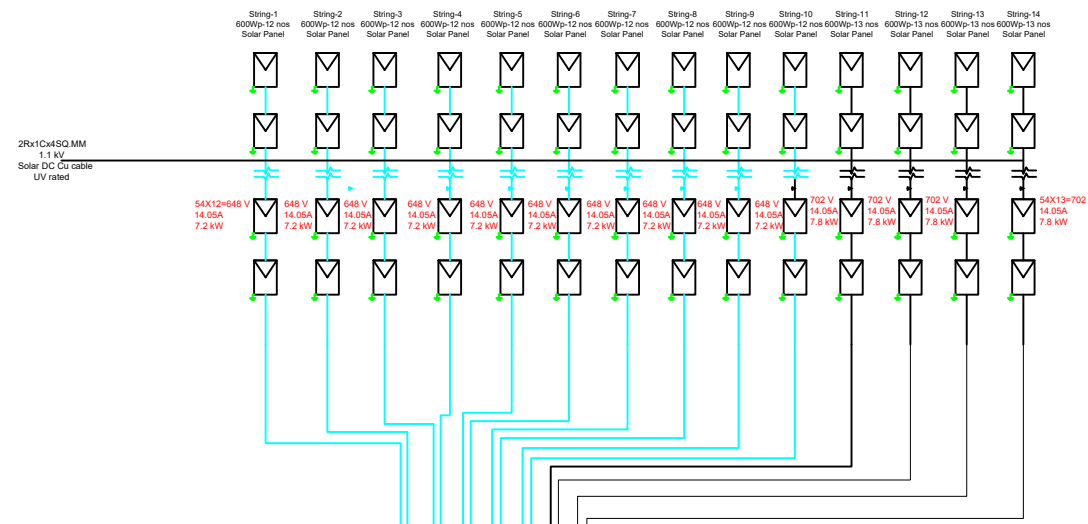
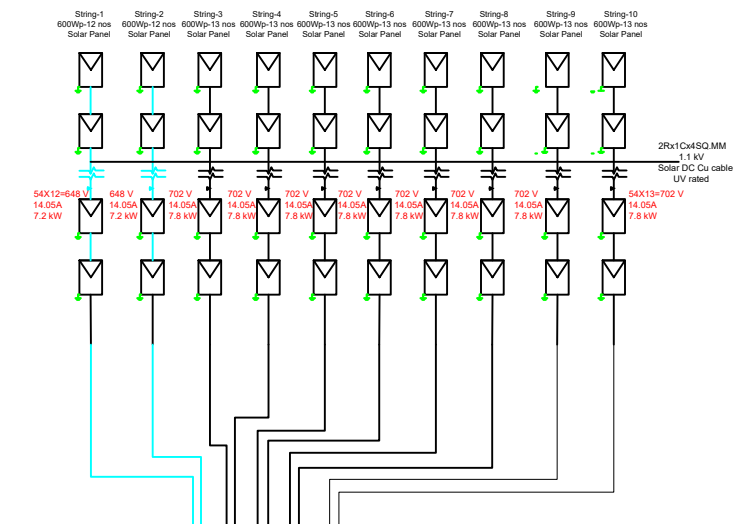


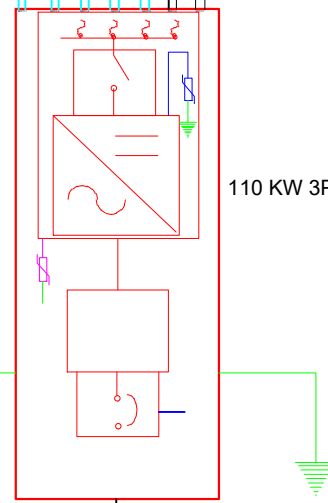
2nd Floor at A01- 172 Panels



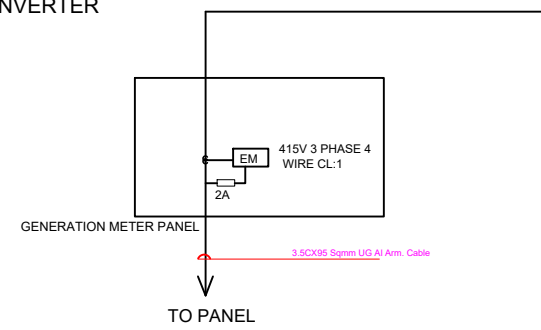
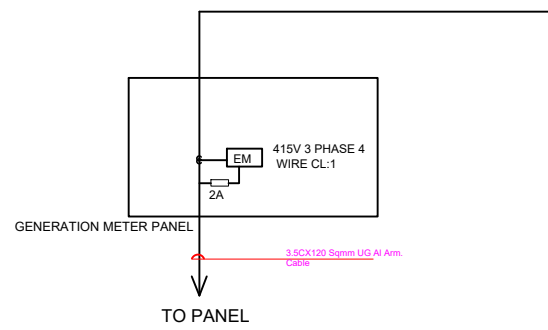
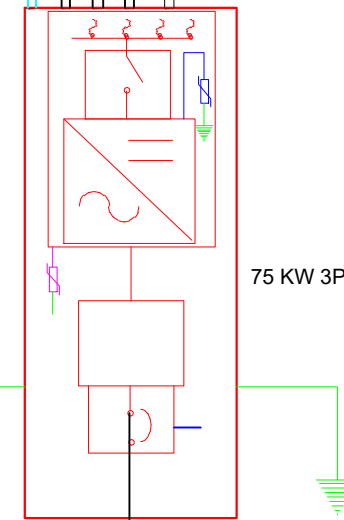
Terrace Floor at A01- 128 Panels



110 KW 3Ph SOLAR INVERTER



75 KW 3Ph SOLAR INVERTER



Title	100 KWp & 75 KWp Solar Power Plant-Saraswathi
Project	SITC of 100 KWp & 75KWp Solar Power Plant and connected electrics at IIT Palakkad.